
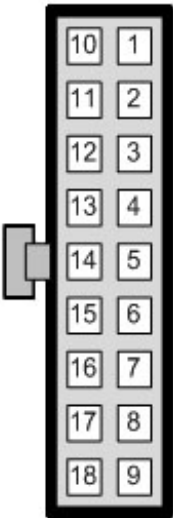


W221VIM GEN2


For S-Class and CL

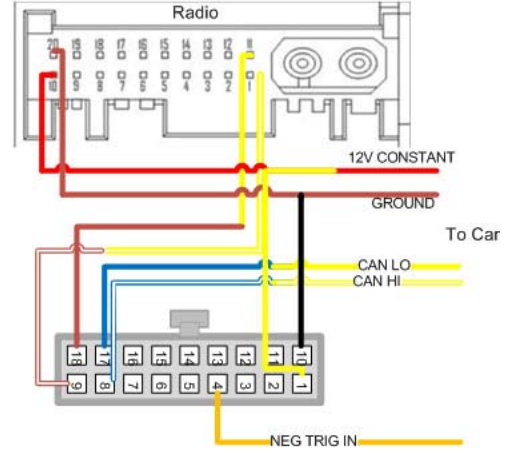
Enables factory DVD play back, while vehicle is in motion.

Overview

What's in the box		Fig. 1 – Package Contents	
<ol style="list-style-type: none"> 1. NAV-TV Control box 2. Connection Cable 3. USB cable 			
Wire Functions	NAV-TV Colors	Vehicle Colors	Fig. 2 Molex plug
<ol style="list-style-type: none"> 1. 12v Constant Power 2. Empty 3. Empty 4. (-) Negative Input VIM 5. Empty 6. Empty 7. Empty 8. CAN HI – RADIO 9. CAN HI –CAR 10. Ground 11. Empty 12. Empty 13. Empty 14. Empty 15. Empty 16. Empty 17. CAN LO – RADIO 18. CAN LO - CAR 	<ol style="list-style-type: none"> 1. Yellow 2. . 3. . 4. Orange 5. . 6. . 7. . 8. White/Blue 9. White/Brown 10. Black 11. . 12. . 13. . 14. . 15. . 16. . 17. Blue 18. Brown 	<ol style="list-style-type: none"> 1. Red (pin 10) 2. . 3. . 4. toggle switch (if needed) 5. . 6. . 7. . 8. Yellow/White (pin 1) 9. Yellow/White (pin 1) 10. Brown (pin 20) 11. . 12. . 13. . 14. . 15. . 16. . 17. Yellow (pin 11) 18. Yellow (pin 11) 	<p>18 pin Molex connector</p>  <p style="text-align: center;">View from wired side</p>

Disassembly, Wiring

Radio Removal	Fig. 3 Panel removal
<ol style="list-style-type: none"> 1. Pop out cover under radio, Remove 2) Torx screws behind cover. 2. Remove screws behind hidden cover above radio cover hinges. 3. Remove 4) Torx screws securing radio in place, Then remove and unplug radio. 	

Wiring :	Fig. 4 Factory Connector
<ol style="list-style-type: none"> 1. Wire interface according to wire specification above. 2. CAN wires are required to be <i>cut in half</i> and wired to the interface. Pay close attention to wire orientation and direction. 3. Interface power and ground gets <i>spliced</i> into factory power and ground. 4. Pin 4, Orange wire in interface, is used for external activation of VIM. Requires toggle switch to ground. Optional installation. <p>All wires are required to be soldered !</p>	

Operation:

Operation	Fig. 5 Steering Wheel
<ol style="list-style-type: none"> 1. To enable video in motion, insert DVD. 2. On steering wheel, press the RETURN button 2 times. 3. To disable video in motion, press the RETURN button 2 times. 4. If using a toggle switch; applying ground to pin 4, orange wire, will also enable VIM. <p>VIM is reset whenever key is cycled.</p>	