

NAV-TV

INTERFACING THE FUTURE

BHM
01/14/16
NTV-DOC034
rB2

3950 NW 120th Ave, Coral Springs, FL 33065 TEL 561-955-9770 FAX 561-955-9760
www.nav-tv.com info@nav-tv.com

RGB-LEX+

NTV-KIT062



Overview

The RGB-LEX+ allows the user to add an aftermarket backup camera to the factory navigation screen in select Toyota/Lexus vehicles equipped with navigation *only*. A secondary video input is included on the RGB module and can be viewed at any time via the provided toggle switch (optional). **NOTE: the factory media system must be in navigation mode for any camera image/video to display.**

Kit Contents



RGB Power Harness
NTV-CAB034

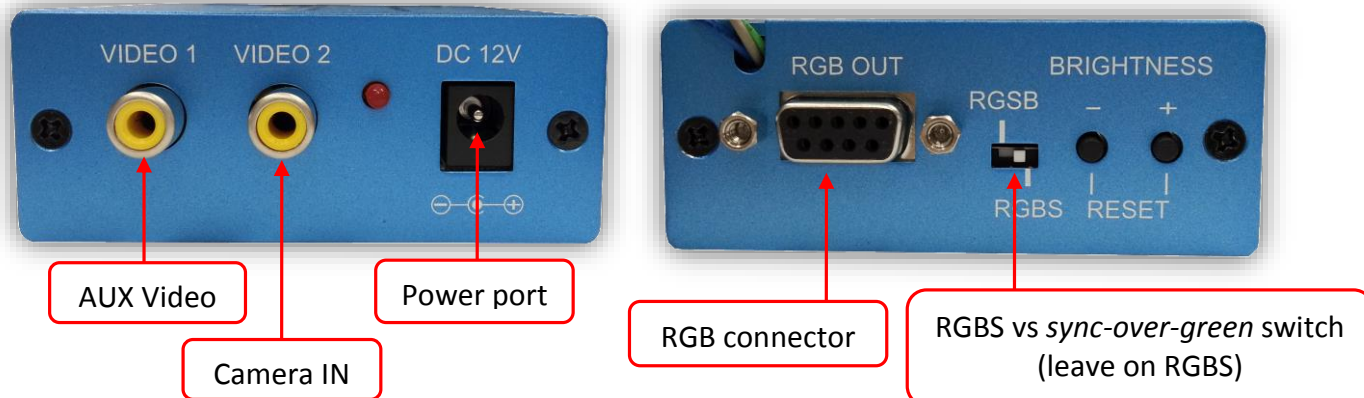


RGB-LEX+ Converter
NTV-INT005



RGB Video Harness
NTV-HAR209

Interface Connectors

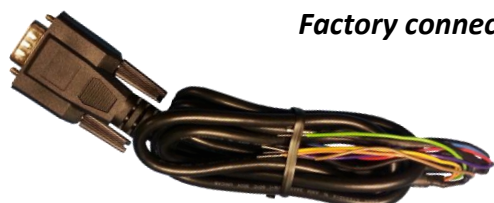


Installation

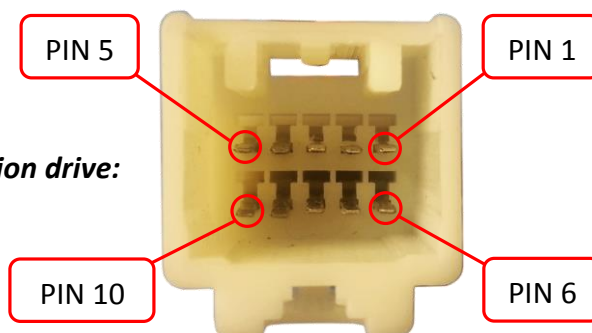
1. Locate the factory navigation drive. These can usually be found in the trunk, glove compartment or under the passenger seat. Disconnect all connected harnesses before cutting any wires.
2. Gather the provided **RGB Video Harness** and refer to the chart below for your specific vehicle RGB pin outs. (If your vehicle is not listed, contact NAV-TV tech support at 561-955-9770 for vehicle specific diagrams)
3. Cut the **Red, Green, Blue and Sync wires in half (one at a time)**. Refer to the diagram on page 3 and make connections. **Note: RGB Ground should not be cut. Splice the ground leads to the RGB ground (or other ground).** **Note 2: While these pin locations should be accurate, we recommend testing each wire! Refer to video: <https://www.youtube.com/watch?v=mAKbOZSv1Uo>**

Year(s)	Make	Model	Red Signal	Green Signal	Blue Signal	Sync Wire	RGB Ground
ALL*	ALL*	ALL*	PIN 2	PIN 7	PIN 3	PIN 8	PIN 6
1998-2000	Lexus	GS300	PIN 1	PIN 4	PIN 5	PIN 2	PIN 7
1998-2000	Lexus	GS400	PIN 8	PIN 7	PIN 6	PIN 2	PIN 5

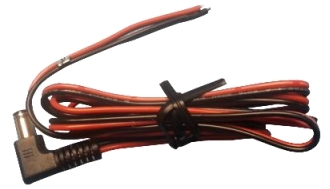
*All RGB-LEX compatible Toyota/Lexus models



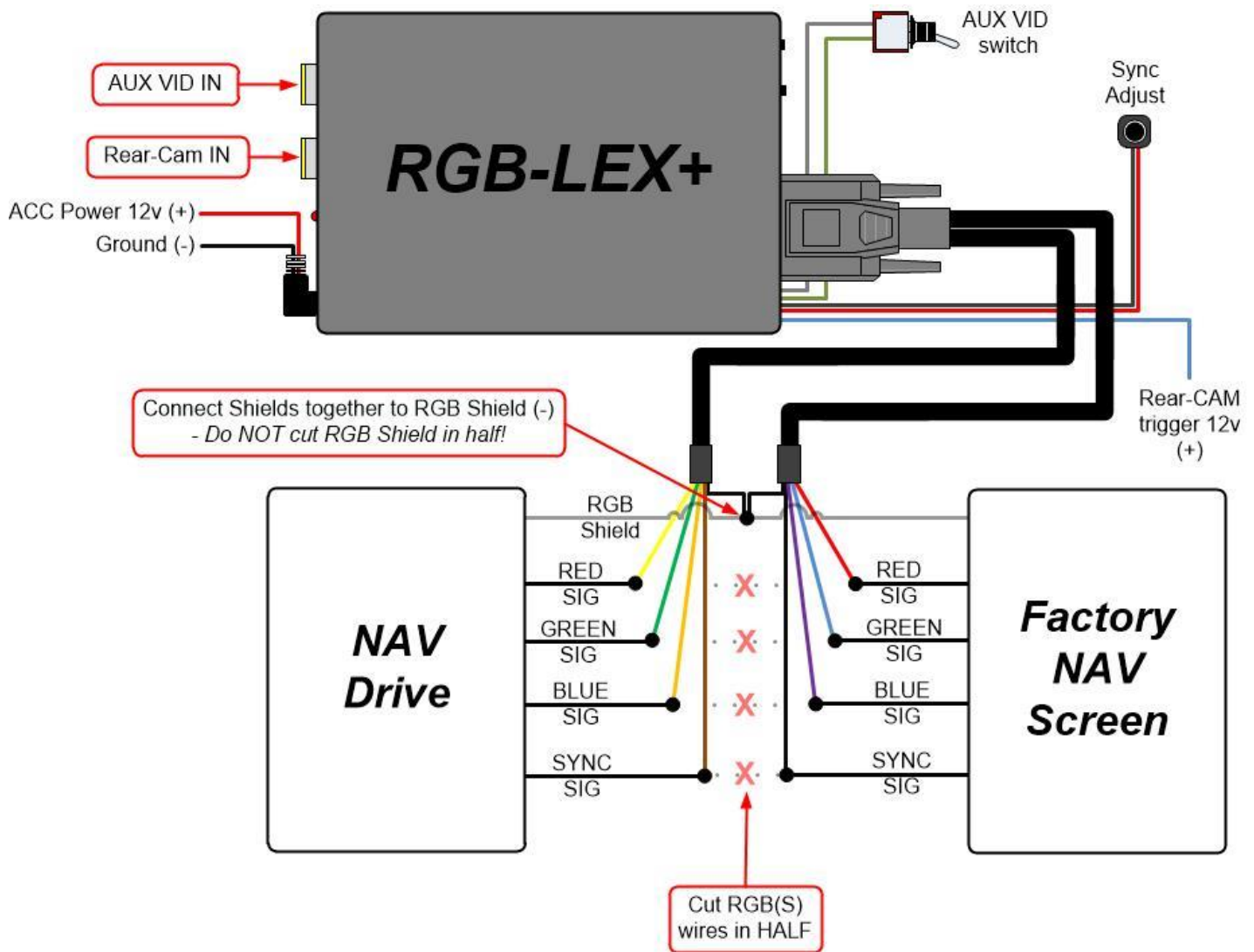
Factory connector at Navigation drive:



4. From the provided **RGB Power Harness**, connect the following:
 - a. the **black wire** to ground (-)
 - b. the **red wire** to an 12v accessory (+) source (may be found on another plug on NAV unit)
 - c. the **blue wire** to a Reverse lamp 12v (+) (from module, runs with the toggle switch)



Basic connection diagram



RGB-LEX+ Operation

- When the **Blue wire** on the interface see's 12v, the navigation screen will switch to **Video 2** source. *This wire should be connected to a reverse lamp 12v (+).*
- Toggling the provided switch will switch the factory navigation screen to **Video 1** source. *Note: if not adding a second video source, leave the switch in whichever position where the factory NAV displays properly on the media screen.*
- Back-up camera image (or any other image) will only display while in navigation mode.
- Only adjust the provided sync dial (slowly) if:
 - All connections are correct
 - You have no image **or**
 - Your image is degraded/not clear/shifted to one side

NAV-TV
INTERFACING THE FUTURE

