

NAV-TV

INTERFACING THE FUTURE

3950 NW 120th Ave, Coral Springs, FL 33065 TEL 561-955-9770 FAX 561-955-9760
www.nav-tv.com info@nav-tv.com

BHM
03/30/16
NTV-DOC161

BNT-Audio

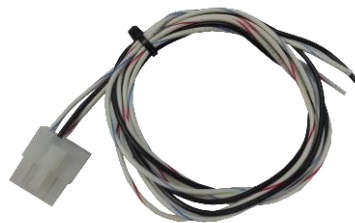
NTV-KIT371



Overview

The BNT Audio Kit allows the user to add auxiliary audio to the factory media systems in select Bentley vehicles. Currently this kit is not plug & play and must be manually wired in to the system.

Kit Contents



Trigger Harness
NTV-HAR066



BNT Audio Switcher
NTV-ASY213



(2x) 3.5mm to RCA
NTV-CAB054

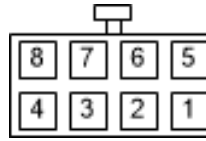


(2x) Male to Male RCA
NTV-CON018

Agreement: End user agrees to use this product in compliance with all State and Federal laws. NAV-TV Corp. would not be held liable for misuse of its product. If you do not agree, please discontinue use immediately and return product to place of purchase. This product is intended for off-road use and passenger entertainment only.

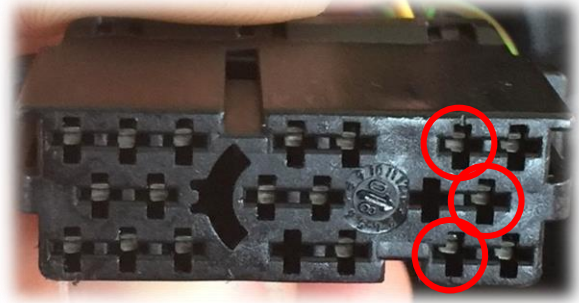
Audio Switcher Pin outs

Pin #	Description	Color
1	AV1 Trigger (12v)	White/Blue
2	AV2 Trigger (12v)	White/Red
6	Ground (-)	Black



Installation

1. Remove the factory radio. This usually requires pulling panels and removing screws that secure it into the dashboard. Disconnect all associated harnesses and set the radio aside.
2. Find the **audio signal pair (3 wires)** that runs to the amplifier from the factory radio.
3. Cut the audio signal pair in half. Connect the wires from the BNT Audio switcher according to the chart and diagram on the next page.

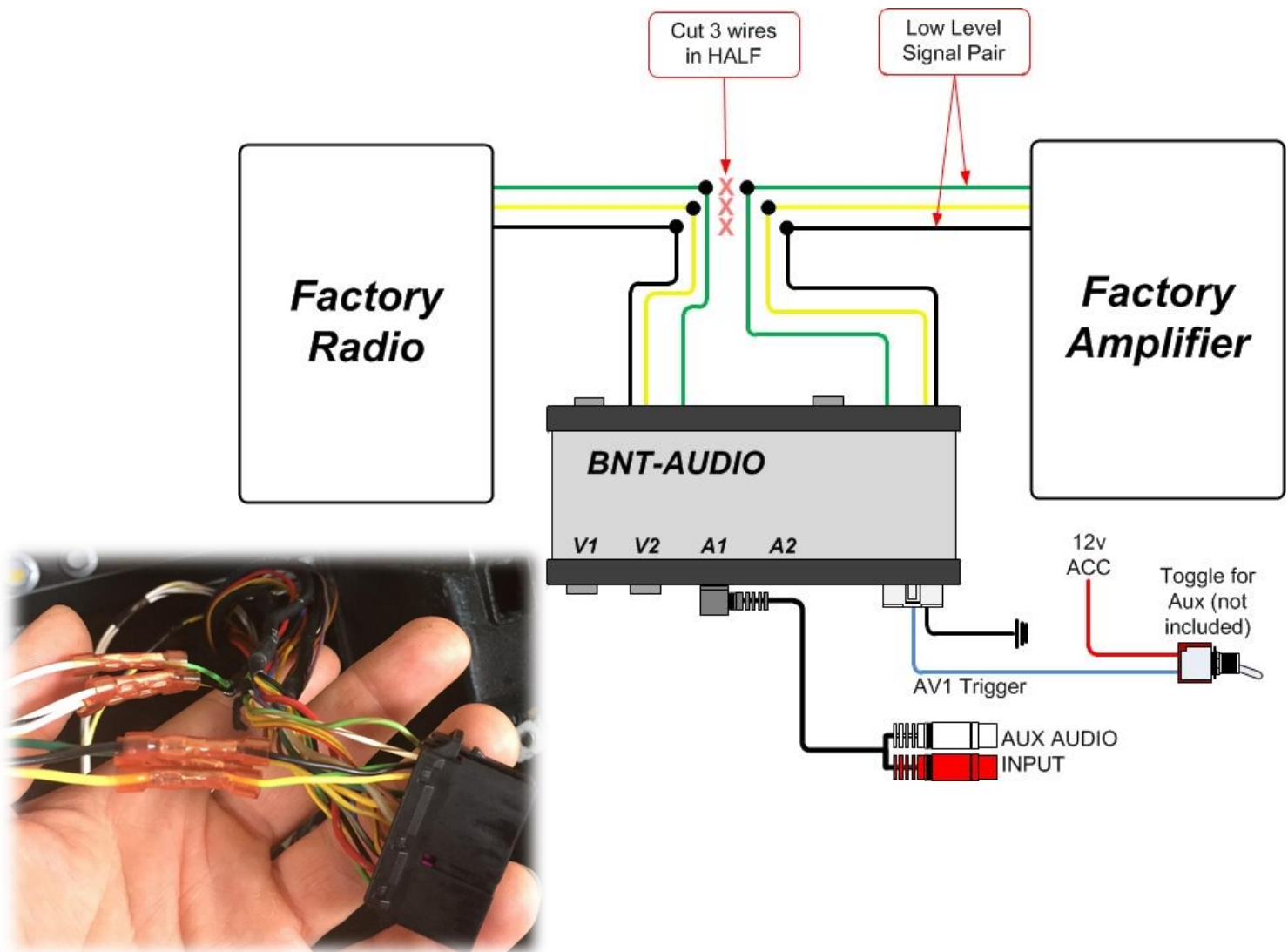


4. Gather the provided **Trigger Harness**. Connect the black wire to Ground (-).
5. Connect the **White/Blue** wire to a 12v ACC source **through a toggle switch**.
6. Connect the provided **3.5mm to RCA Harness** to the BNT Audio switcher at the port labeled 'A1'.
7. Test functionality before reconnecting all dash pieces:
 - a. With the ignition on, go to the FM radio. Make sure audio is heard clearly.
 - b. Connect an AUX audio device to the connected RCA red/white plugs.
 - c. Play music through the AUX device.
 - d. Flip connected switch to the BNT Audio Kit. FM audio should cut away and AUX audio should be introduced instead.



Wire Connection Chart and Install Diagram

	Wire Color	Description	Connect to CAR's:	Car wire color
Amplifier Side	Black	Shield OUT	Shield Amp Side	Black
	Yellow	Right Channel (+) OUT	Right Channel (+) Amp Side	Yellow
	Green	Left Channel (-) OUT	Left Channel (-) Amp Side	Green
Radio Side	White/Black	Shield IN	Shield Radio Side	Black
	White/Yellow	Right Channel (+) IN	Right Channel (+) Radio Side	Yellow
	White/Green	Left Channel (-) IN	Left Channel (-) Radio Side	Green



Agreement: End user agrees to use this product in compliance with all State and Federal laws. NAV-TV Corp. would not be held liable for misuse of its product. If you do not agree, please discontinue use immediately and return product to place of purchase. This product is intended for off-road use and passenger entertainment only.

NAV-TV

INTERFACING THE FUTURE



Agreement: End user agrees to use this product in compliance with all State and Federal laws. NAV-TV Corp. would not be held liable for misuse of its product. If you do not agree, please discontinue use immediately and return product to place of purchase. This product is intended for off-road use and passenger entertainment only.