

# NAV-TV

INTERFACING THE FUTURE

3950 NW 120<sup>th</sup> Ave, Coral Springs, FL 33065 TEL 561-955-9770 FAX 561-955-9760

[www.nav-tv.com](http://www.nav-tv.com) [info@nav-tv.com](mailto:info@nav-tv.com)

## VSW-R

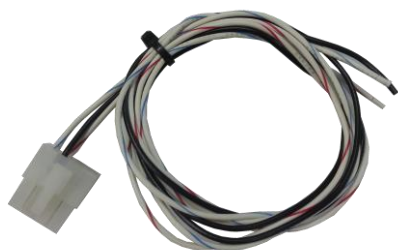
NTV-KIT492



### Overview

The VSW, combined with the vehicle-specific NAV-TV integration module, allows the introduction of up to 3 different aftermarket cameras or other composite video sources into the factory LCD screen.

### Kit Contents



Power Harness  
NTV-HAR066



VSW Board  
NTV-ASY187



Video RCA  
I/O Harness  
NTV-HAR301

## Connector pin outs

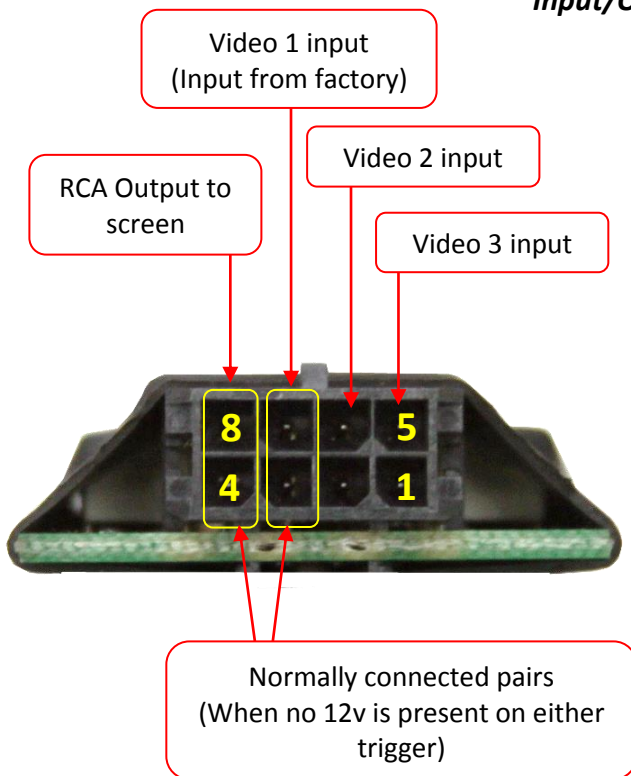
### Power/Trigger Connector



PIN #	Description	Color
1	Video 3 Trigger	White/Blue
2	Video 2 Trigger	White/Red
6	Ground	Black

LED	Description
A	LED: When illuminated, Video 3 is active
A & B	LEDs: When both illuminated, Video 2 is active

### Input/Output Connector



PIN #	Description	Color
1	RCA Video 3 input (-)	[Shield]
2	RCA Video 2 input (-)	[Shield]
3	RCA Video 1 input (-)	[Shield]
4	RCA Video OUT (-)	[Shield]
5	RCA Video 3 input (+)	Yellow
6	RCA Video 2 input (+)	White
7	RCA Video 1 input (+)	Green
8	RCA Video OUT (+)	Clear

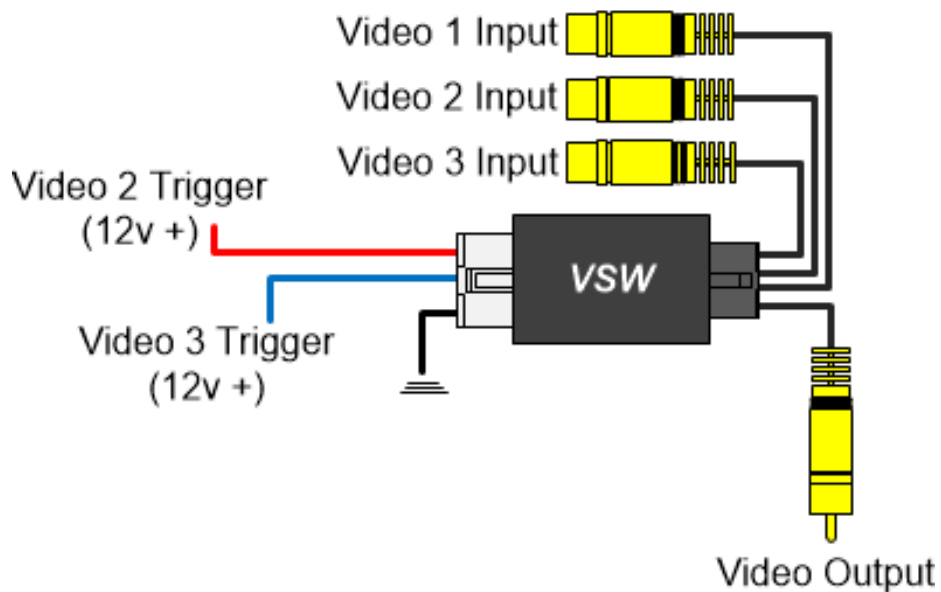
## Installation Overview

### Power/Trigger Harness:

**Black:** Ground (-)

**White/Blue:** Supply 12v (+): Activates VIDEO 3

**White/Red:** Supply 12v (+): Activates VIDEO 2



- **Video 1 Input** and **Video Output** are normally connected (passing video signal) when **no 12v (+) is present on either trigger.**