

AUTOSTART

OPERATING MANUAL



AUTHOR
ALARM

Dear car owner!

Please note that the AUTHOR Alarm's anti-theft devices are not intended for self-installation.

We strongly recommend to install and configure the purchased equipment only in certified installation centers.

TABLE OF CONTENTS

General information	4
Benefits of the system	4
System functions	5
OPERATIONAL STEPS	6
Mobile app Author Comfort	6
Preparation for engine start	8
Starting the engine	10
Engine shut off	11
Webasto engine heater control	12
Comfort option	13
Service mode	13
INSTALLATION AND CONFIGURATION	14
Installation of the module	14
AUTOSTART module training	16
AUTOSTART installation on BMW vehicles	17
Settings for engine or Webasto operating time	20
AUTOSTART operation via additional devices	21
REFERENCE INFORMATION	23
AUTOSTART module options	23
Firmware update	25
Digital car key calculation on the web server	26
Reset to factory settings	28
Connection of module to additional devices	29
ANNEX	32

General information

The AUTOSTART module is universal device that you can use for:

- Keyless by-pass of OEM immobilizer
- Remote engine start module
- Remote Webasto start module

The AUTOSTART system allows you to warm up the engine and the car interior in cold weather, as well as to cool down the interior on hot days before the ride. On some vehicles it can control pre-installed Webasto engine heater.

The device makes it possible to start the engine with standard car key, mobile app for Android or additional devices, such as an additional alarm system or GSM module.

Benefits of the system

AUTOSTART key benefits:

- Easy to install.
- Remote start via additional devices (GSM module, tracking device, alarm system without remote start function, etc.).
- Remote start using the mobile app for Android and standard car key.
- Termination of the remote start session at the attempt of car theft.
- Indication with external lights (optional).
- Service mode.

System functions

- **Remote engine start or Webasto control**

Combines functions of keyless transponder bypass and power module. There is no need to leave the key in the car or to connect additional devices – the module operates autonomously.

- **Configuring remote start duration**

Easy settings for remote engine start or Webasto operation.

- **Retention of anti-theft functions**

The car remains protected during the remote start. The engine stops when:

- doors, hood or trunk locks open;
- accelerator or brake pedal is pressed;
- START-STOP button is pressed;
- the car detects an attempt to insert standard car key into the ignition lock;
- automatic transmission is switched to any gear different from «Parking» position.

In addition, the steering wheel remains blocked during the remote start (see the list of supported cars at <http://author-alarm.com>).

- **Fuel level tracking**

The engine automatically stops if the fuel level is low (only for Mitsubishi).

OPERATIONAL STEPS

Mobile app Author Comfort

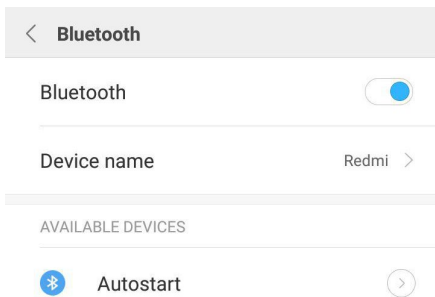
AUTOSTART module can be easily set and managed with a mobile app Author Comfort for Android (version 4.3 and higher):

<https://play.google.com/store/apps/details?id=com.dma.author.comfort>

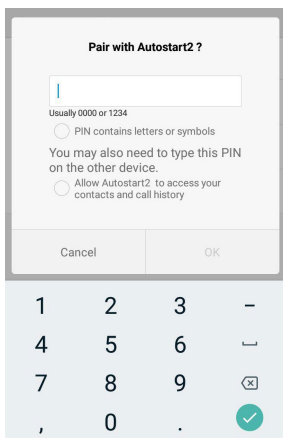


In order to get an access to the system follow the next steps:

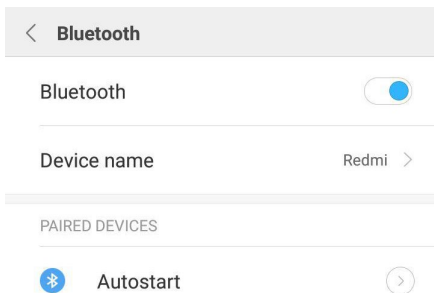
1. Switch on the Bluetooth in your smartphone and wait till the AUTOSTART module is detected in the list of the available devices.



2. Choose your device from the list, enter the code specified on the first page of the operation manual and press OK.



3. Wait till device and the smartphone are connected.



4. Run the Author Comfort app.

Preparation for engine start

Before launching the remote start, make sure that the gear selector is set to P (Parking), the ignition is off, doors and the hood are closed, fuel level is not lower than 7% (only for Mitsubishi).

A car can **not** be started remotely when:

- the ignition is on (or the key is placed in the ignition lock);
- doors, hood or trunk are opened;
- accelerator or brake pedal is pressed;
- fuel level is lower than necessary (only for Mitsubishi);
- transmission is not set to P (Parking) position.

For vehicles with **Manual transmission**, the procedure for preparing for AUTOSTART session is as follows. At the end of driving:

1. Put the car on the Parking brake (Hand brake).
2. Switch OFF the ignition and remove the key from the ignition slot.

ATTENTION! AUTOSTART module will keep the engine running.

3. Exit your car and close all doors. The engine will be shut off.

The correct execution of the preparing for AUTOSTART session ensures that the vehicle has been left in Neutral gear and will not move when AUTOSTART module will start the engine.

COMFORT

CONTROL

SETTINGS



Starting the engine

1. Via **Author Comfort** app.

Engine can be started when your vehicle is in the range of Bluetooth signal from your smartphone. Press the START button on the tab «Control».

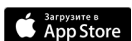
2. Via **Author Connect** app.

Engine can be started from any distance if the GSM network is available. ATLAS GSM-module must be also preinstalled in your vehicle.

Press the START button on the tab «Control».

<https://itunes.apple.com/ru/app/author-connect/id1394124230>

<https://play.google.com/store/apps/details?id=com.dma.author.connect>



3. Start via standard car key.

Press the Lock button that locks the car three times, pausing for 0.5 but not more than 2.5 seconds between each click.

4. Start via additional device.

It is necessary to apply the negative impulse (for more than 0.3 seconds) to the external input of the module (purple wire).

The engine will start while the central lock will remain closed.

The duration of engine running in AUTOSTART session can be set from 5 min. to 24 hrs. By default settings AUTOSTART operation is set to 15 min.

ATTENTION! It is recommended not to insert car key into the ignition, do not to press START-STOP button and do not to stay inside the car with a standard car key when the remote start is on.

If the external light indication mode is ON, the parking lights, alarm lights and the light repeaters on side mirrors will be flashing when the engine is running (depends on car model/brand, see author-alarm.com).*

Engine shut off

AUTOSTART module automatically stops the remote start at the attempt of car theft. The system constantly monitors the violation of the main protection zones reacting on the following events:

- doors, hood or trunk locks open;
- accelerator or brake pedal is pressed;
- START-STOP button is pressed;
- key is inserted into ignition lock;
- automatic transmission is switched to any position different from Parking.

It is possible to stop the engine earlier than the set time by one of the following ways:

- press STOP button on the tab «Control» in the Author Comfort app;

* During the remote start in Toyota and Lexus the system indicates by flashing alarm lights once every 15 seconds.

- open the car door;
- press the Lock button on standard car key 3 times;
- (if additional auto start device is used) send command to create negative potential «-» for 0.3 seconds on the purple wire.

Webasto engine heater control

If you need to change Webasto operation time via AUTOSTART module you should at least once set the maximum operation time of the heater using your standard remote control.

You can start the heater via:

1. Via **Author Comfort** app.

Engine can be started when your vehicle is in the range of Bluetooth signal from your smartphone. Press the START button on the tab «Control».

2. Via **Author Connect** app.

Engine can be started from any distance if the GSM network is available. ATLAS GSM-module must be also preinstalled in your vehicle. Press the START button on the tab «Control».

3. Start via standard car key.*

Press the Lock button that locks the car three times, pausing for 0.5 but not more than 2.5 seconds between each click.

4. Start via additional device.

It is necessary to apply the negative impulse (for more than 0.3 seconds) to the external input of the module (purple wire).

* Only for some vehicles. More info on <http://service.author-alarm.com>

«Comfort» option

Some car models* support «Comfort» option – it closes the windows and the sunroof, folds the mirrors during the remote start. This option is **active** by default.

Service mode

The service mode is used for temporary deactivation of AUTOSART module when you give your car for the maintenance (without saying about the device).

Follow the next steps in order **to switch ON the service mode**.

With Author Comfort mobile app.

Go to the tab «Settings» and use the slide-switch «Service mode».



With accelerator**:

1. Press the accelerator pedal as far as it can go and keep it pressed.
2. Switch ON the ignition but do not start the engine.
3. Release the accelerator pedal. AUTOSTART will be in the mode for options changing. The indication on the dashboard will appear every 3 seconds.
4. Press the accelerator pedal 5 times. The activation of the service mode will be confirmed by 5 indication signals on the dashboard.

* More info on <http://service.author-alarm.com>

** For some car models other controls are used instead of accelerator pedal (see the annex).

The service mode is deactivated by putting the slide-switch in «Service mode» in the position OFF or with the accelerator pedal* (accelerator must be pressed 4 times). 4 indication signals will indicate that the service mode is deactivated.

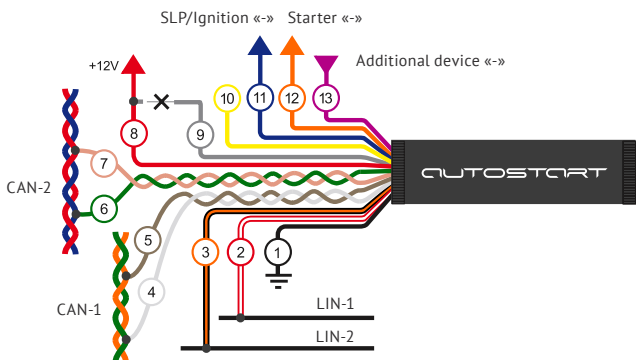
INSTALLATION AND CONFIGURATION

Installation of the module

Connect the wires the following way in order to connect the device:

ATTENTION! For BMW vehicles use the installation scheme described on pages 17-19.

ATTENTION! If you use AUTOSTART module for Webasto heater remote control it is enough to connect only BLACK wire (1), RED wire (8) and CAN-bus wires.



1. **Black.** Ground/earth.
2. **White-red.** LIN-1.
3. **Orange-black.** LIN-2.
4. **White.** CAN1-L.
5. **Brown.** CAN1-H.
6. **Green.** CAN2-L (for Mitsubishi and KIA/Hyundai).
7. **Pink.** CAN2-H (for Mitsubishi and KIA/Hyundai).
8. **Red.** Permanent power supply«+» 12V.
9. **Grey.** To permanent power supply «+»12V while training the device.
10. **Yellow.** Not used.
11. **Blue.** Output to SLP wire (only for Toyota/Lexus) or output to ignition power supply «-» (for others).
12. **Orange.** Negative «-» output to the starter.
13. **Purple.** Negative «-» input to start by signal from additional device.

ATTENTION! After installation of AUTOSTART module, it is **obligatorily** to do the module training procedure.

After installation of AUTOSTART module on the vehicle with manual gear box change the module settings from configuration with Automatic transmission to Manual transmission. Otherwise your car may start driving when you switch ON the AUTOSTART module.

1. Press the accelerator pedal* as far as it can go and keep it pressed.
2. Switch ON the ignition but do not start the engine.
3. Release the accelerator pedal. AUTOSTART will be

* For some car models other controls are used instead of an accelerator pedal (see the annex).

in the mode for options changing. The indication on the dashboard will appear every 3 seconds.

4. Press the accelerator pedal 14 times. The Manual transmission mode activation will be confirmed by 14 indication signals on the dashboard.*

AUTOSTART module training

ATTENTION! While training the AUTOSTART module, all additional devices connected to the car via the CAN bus must be switched OFF or have the service mode ON (otherwise it can be an obstacle for module training).

ATTENTION! For some car brands/models the module training procedure can be different! Be sure to check the procedure on our website.

1. Connect the AUTOSTART module according to the wiring map.
2. Switch ON the ignition (do not start the engine).
3. Connect the GREY wire to power supply «+». The car is automatically identified and AUTOSTART indication signals flash confirming that the module is trained.
4. Disconnect the GREY wire from power supply «+».
5. Switch OFF the ignition.
6. Reset power on the AUTOSTART module.

ATTENTION! If after the installation the engine (or Webasto) will not start via command from AUTOSTART module it is recommended to repeat the training procedure.

* To change back to Automatic transmission mode some press the accelerator pedal 15 times.

Installation of AUTOSTART module on BMW vehicles

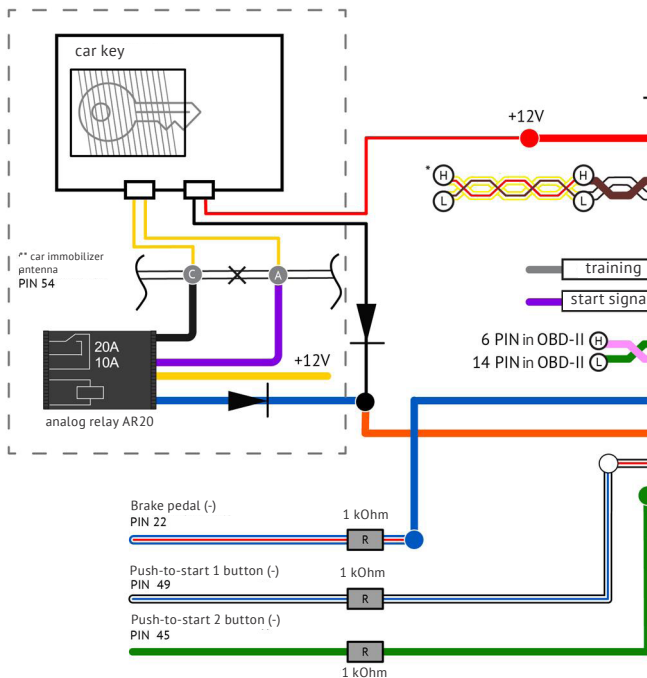
Connect the wires the following way in order to connect the device:

AUTOSTART module

- 1. Black.** Ground/earth.
- 2. Red.** Permanent «+» 12V
- 3. Brown.** CAN1-H.
- 4. White.** CAN1-L.
- 5. Yellow.** Not used.
- 6. Grey.** To permanent power supply «+» 12V for firmware change (if the current firmware* do not support BMW vehicles) and joint-work with other additional devices.
- 7. Purple.** Negative «-» input to start by signal from additional device.
- 8. Green.** To pin 14 in OBD II outlet.
- 9. Pink.** To pin 6 in OBD II outlet.
- 10. Blue.** To the BLUE-RED wire on FEM unit (pin 22) Negative «-» output signal to brake pedal through resistor 1 kOhm.
- 11. Orange.** Negative «-» output to car key by-pass.
- 12. White-Red.** To the WHITE-BLUE wire on FEM unit (pin 49) through resistor 1 kOhm. Negative «-» output signal to START-STOP button.
- 13. Orange-Black.** To the GREEN wire on FEM unit (pin 45) through resistor 1 kOhm. Negative «-» output signal to START-STOP button.

* Firmware version is indicated on the packaging. We recommend you to update it before installation.

Installation of AUTOSTART

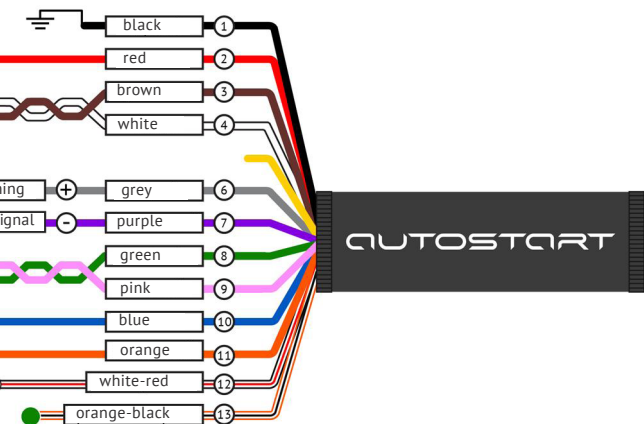


* BMW F-series H (yellow-red); L (yellow-brown).
BMW G-series H (yellow-brown); L (yellow-red).

** BMW F-series car immobilizer antenna PIN54, grey wire.
BMW G-series car immobilizer antenna PIN54, white wire.

RT module on BMW vehicles

ATTENTION! On some car brands/models the wire colors can differ from the colors indicated on the wiring scheme. The layout or the sockets and wires are the same.



Analog relay AR20

Black. In the cut of wire GREY (white) in twisted wires standard frame of the car key (pin 54).

Purple. In the cut of wire GREY (white) in twisted wires standard frame of the car key (pin 54).

Yellow. To power supply «+» 12V.

Blue. To the ORANGE wire «-» output from AUTOSTART module.

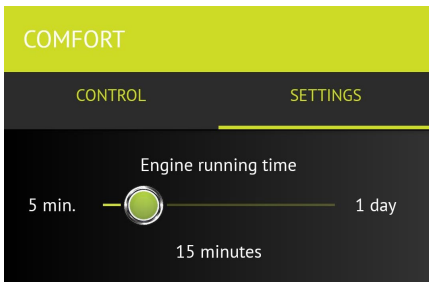
Settings for Engine or Webasto operating time

The duration of Engine or Webasto operation when started remotely is 15 minutes by default.

The value can be changed:

1. With **Author Comfort** app.

On the tab «Settings» set the duration of the remote start by moving the slider along the scale. The value will be saved automatically.



2. With accelerator or brake pedal.

- Switch OFF the ignition.
- Press the accelerator pedal as far as it can go.
- Switch ON the ignition without starting the engine.
- Indication signals will be provided every 3 seconds.
- Release the accelerator pedal.
- To set the duration of engine operation, press the brake pedal the appropriate number of times (see programming table) with pauses no longer than 2.5 seconds. Every time you press the brake pedal, it is confirmed by the AUTOSTART indication signal

on the dashboard. When the installation is finished, wait for the repeated indication that corresponds to the programmed value.

- Switch OFF the ignition.

Programming table

Pressing No.	1	2	3	4	5	...
Duration of engine operation, min.	5	10	15	20	30	+10

The duration of engine operation when started remotely is 15 minutes by default (marked with grey color in the table).

If you press the brake pedal once, it means the engine will work for 5 minutes. Second, third and fourth pressing add 5 minutes each. Fifth and subsequent pressings add 10 minutes to the duration time.

For instance, if you want to set the duration for 20 minutes, press the brake pedal 4 times, and 8 times for 60 minutes.

AUTOSTART operation via additional devices

The AUTOSTART module also supports operation via additional devices: security systems with feedback, GSM modules and other devices that allow to start the engine from a longer distance.

External input (purple wire) is designed for connecting additional devices. When feeding the negative

potential of more then 0.3 seconds to the purple wire, the module receives the command to start the engine or Webasto. A repeated command of 0.3 seconds stops the engine.

For programmed activation of the remote engine start via additional devices use the following settings:

- the corresponding switch on the tab «Settings» in Author Comfort mobile app



- settings via accelerator pedal*:
 1. Press the accelerator pedal as far as it can go and keep it pressed.
 2. Switch ON the ignition but do not start the engine.
 3. Release the accelerator pedal. AUTOSTART will be in the mode for options changing. The indication on the dashboard will appear every 3 seconds.
 4. Press the accelerator pedal 10 times to switch ON or 11 times to switch OFF the function of AUTOSTART control from additional device. The activation will be confirmed by 10 indications and deactivation by 11 indications on the dashboard.

* For some car model other controls are used instead of an accelerator pedal (see the annex).

REFERENCE INFORMATION

AUTOSTART module options

ATTENTION! The options are supported depending on a car model (See the section System compatibility on the web-site author-alarm.com).

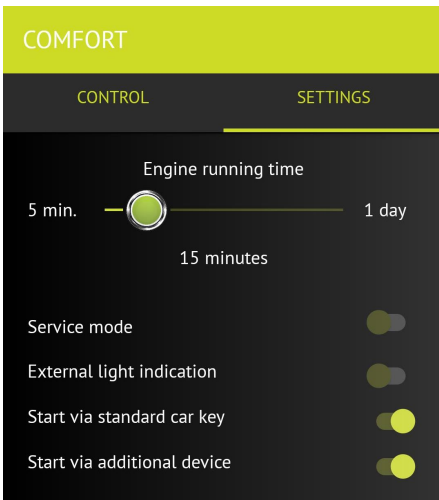
Option	Switch ON	Switch OFF
Service mode	5	4
External indication	6	7
Start via standard car key	8	9
Start via additional device	10	11
«Comfort» option	12	13
MT gear box mode	14	15
Software update mode	20	-
Resetting	25	-

The state of options installed in the system by default («Switch ON», «Switch OFF») is marked with grey color in the table. The figures in the table show how many times the service button shall be pressed to set a particular option state.

The state can be changed in one of the following ways:

With mobile app Author Comfort

On the tab «Settings» set the switches to the necessary position depending on what option state you need.



With accelerator.* Do the following:

1. Press the accelerator pedal as far as it can go.
2. Keep the accelerator pressed, start the ignition but do not start the engine.
3. Release the accelerator pedal. AUTOSTART will be in Options change mode. The indication on the dashboard will be provided every 3 seconds.
4. Press the accelerator number of times – «Switch ON», «Switch OFF» (see the figures in the corresponding column in the table). For example, 6 times to Switch ON the External indication or 7 times to Switch it OFF. The AUTOSTART indication signals will confirm the action. Number of signals corresponds to the

* For some car model other controls are used instead of an accelerator pedal (see the annex).

number of times the accelerator is pressed. The option state will be changed.

5. If there are no AUTOSTART indication signals, the accelerator was pressed for the wrong number of times. In order to activate the necessary option repeat the procedure beginning with the first step.

Firmware update

AUTOSTART module has special mode for updating the firmware that does not need the device to be dismantled from the vehicle.

The procedure is described in the section AUTOSTART module options. To enter Firmware change mode do the following:

1. Press the accelerator pedal as far as it can go.
2. Keep the accelerator pressed, switch ON the ignition but do not start the engine.
3. Release the accelerator pedal. AUTOSTART will be in Options change mode. The indication on the dashboard will be provided every 3 seconds.
4. Press the accelerator pedal 20 times to enter Firmware change mode. The mode activation will be confirmed by 20 indications signals on the dashboard.

In order to change firmware you should connect AUTOSTART module via Bluetooth to your personal computer with the installed application Author Flasher.

Digital car key calculation on the web server

To by-pass standard car immobilizer on some vehicles* it is need to run the procedure of digital car key calculation on the web server.

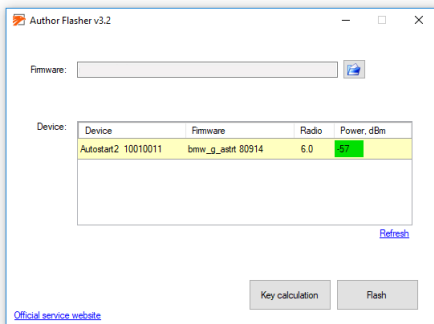
It is recommended to do the procedure of digital car key calculation just after the AUTOSTART module training procedure before you disconnect GREY wire from power supply «+».

If you need to run the procedure of digital car key calculation on the web server after the GREY wire was disconnected from power supply «+» to the following:

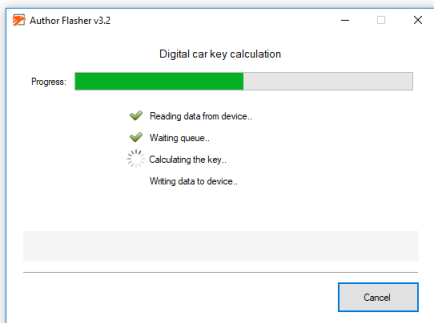
1. Enter Firmware change mode:
 - a. Press the accelerator pedal as far as it can go.
 - b. Keep the accelerator pressed, switch ON the ignition but do not start the engine.
 - c. Release the accelerator pedal. AUTOSTART will be in Options change mode. The indication on the dashboard will be provided every 3 seconds.
 - d. Press the accelerator pedal 20 times to enter Firmware change mode. The mode activation will be confirmed by 20 indications signals on the dashboard.

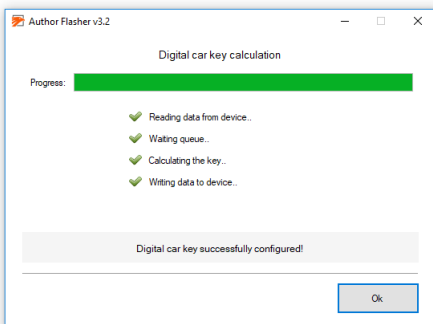
2. Connect AUTOSTART module via Bluetooth to your personal computer with the installed application Author Flasher (version 3.0 or higher). Your computer must be connected to Internet. When your AUTOSTART module will appear in Author Flasher app. the button «Key calculation» will be available.

* See the annex



3. Press «Key calculation» button to run the procedure of digital car key calculation on the web server. The calculation time on the server is usually no more than 10 minutes. You can see the progress in the Author Flasher status bar.





4. When the calculation will be completed the digital car key will be automatically saved in your AUTOSTART module memory. If an error occurs during the calculation process, click «Retry» button.
5. Switch OFF the ignition.

Reset to factory settings

In order to reset your AUTOSTART module to factory settings use the following procedure:

1. Press the accelerator pedal as far as it can go.
2. Keep the accelerator pressed, switch ON the ignition but do not start the engine.
3. Release the accelerator pedal. AUTOSTART will be in Options change mode. The indication on the dashboard will be provided every 3 seconds.
4. Press the accelerator pedal 25 times to enter Firmware change mode. The mode activation will be confirmed by 25 indications signals on the dashboard.

All settings will be changed to the default settings; all devices connected to the module (IGLA and etc.) will be deleted from the AUTOSTART module memory.

Connection of module to additional devices

The connection of AUTOSTART module with additional devices shall be performed once before the first time the module is used.

ATTENTION! The procedure shall be made strictly in the following way only: During one procedure only one device can be connected!

In order to connect to IGLA:

1. Connect both devices according to the scheme specified in the manuals (GREY wire for AUTOSTART shall not be connected!).
2. Switch ON the ignition.
3. Switch IGLA to PIN-code change mode by one of the following ways:
 - connect the GREY wire from IGLA to power supply «+»;
 - if the device is already connected, after the authorization is successful enter the current PIN-code once again while pressing the accelerator pedal as far as it can go.

ATTENTION! If the current PIN-code includes «Slight touch on accelerator pedal», it is necessary to enter the PIN-code once again after the authorization (item 2) and then press the accelerator pedal as far as it can go.

4. Connect AUTOSTART module GREY wire with the RED one and apply power supply «+».
5. The system will be in the connecting mode. The successful connection will be confirmed:
 - with AUTOSTART module indication signal;
 - with double indication signal of IGLA.
6. Switch OFF the ignition and disconnect the GREY wire from power supply «+». Modules are connected.

In order to connect to ATLAS:

1. Install ATLAS as it is specified in the manual.
2. Connect AUTOSTART as it is specified on p. 14-15 (GREY wire to power supply «+»).

ATTENTION! If it is difficult to reach the module, switch AUTOSTART to software update mode. The procedure is described on p. 25 (GREY wire may not be connected).

3. Switch ON the ignition. The system will be in the connecting mode.
4. Launch ATLAS mobile app. On the tab «Settings – Information» on subsection «Connected IGLA unit» press «Connect». The successful connection will be confirmed:
 - with AUTOSTART module indication signal;
 - with a message about the successful connection in the ATLAS mobile app.
5. Switch OFF the ignition and disconnect the GREY wire from power supply «+». Modules are now connected.

In order to connect to COMPASS:

There are two ways of connecting the remote start module AUTOSTART and the tracking device COMPASS:

- using the analogue connection (GREEN wire from COMPASS to the PURPLE wire from AUTOSTART);
- using digital CAN-bus (white and brown wires).

In order to enable joint work of the remote start module AUTOSTART and of the tracking device COMPASS via CAN-bus both devices shall be installed connected to each other:

1. Set the **master-phone** in Author Compass mobile app for Android.
2. Connect and train the AUTOSTART module (see on page 14-16).
3. Switch OFF the ignition.
4. Connect grey AUTOSTART wire with the red one and apply power supply «+».
5. Switch ON the ignition.
6. Send command [password] **SET CAN AS+** (e.g., *1234 SET CAN AS+*) to the SIM-card phone number of the tracking device). Wait for the SMS message confirming the connection of the devices and double indication signal on the dashboard.
7. Switch OFF the ignition.
8. Disconnect RED and GREY wires of AUTOSTART module from power supply «+». Modules are connected.



In order to disconnect AUTOSTART and COMPASS it is enough to send an SMS-request [**password**] **SET CAN AS-** (e.g., *1234 SET CAN AS-*) to the SIM-card phone number of the tracking device.

ANNEX

Vehicles that support remote Engine start

Brand	Model	Year	Config.	Eng.	Trans.
BMW	1 F20	2013 - 2018	button	P	AT
BMW	3 F30 F34	2012 - 2018	button	P	AT
BMW	5 G30	2017 - 2018	button	P	AT
BMW	X5 F15	2013 - 2018	button	P	AT
BMW	X6 F16	2014 - 2018	button	P	AT
Citroen	C-Crosser	2007 - 2013	not min.	P	AT
Citroen	C4 Aircross	2012 - 2016	not min.	P	AT
Fiat	Fullback	2016 - 2018	key	D	AT
Ford	Focus	2018 - 2018	button	P	AT
Ford	Kuga	2018 - 2018	button	P	AT
Hyundai	Creta	2015 - 2018	key/button	2.0P	AT
Hyundai	Elantra VI	2016 - 2018	key	P	AT
Hyundai	Gr. Santa Fe III	2016 - 2018	button	D	AT
Hyundai	i30 III	2017 - 2017	-	P	AT
Hyundai	i40	2015 - 2017	-	2.0P	AT
Hyundai	Santa Fe III	2015 - 2018	button	D	AT
Hyundai	Solaris	2017 - 2017	-	P	AT
Hyundai	Sonata	2017 - 2017	key	2.0P	AT
Hyundai	Tucson III	2015 - 2018	button	P	AT
Hyundai	Veloster	2014 - 2014	-		AT
Infiniti	FX	2008 - 2012	button	P/D	AT
Infiniti	JX	2012 - 2015	button	P	AT
Infiniti	Q60	2017 - 2017	-		AT

* Needed digital car key calculation on the web server

Infiniti	QX50	2013 - 2017	button	P	AT
Infiniti	QX50*	2018 - 2018	button	P	AT
Infiniti	QX56	2010 - 2013	button	P/D	AT
Infiniti	QX60	2014 - 2017	button	P	AT
Infiniti	QX70	2013 - 2017	button	P/D	AT
Infiniti	QX80	2013 - 2017	button	P/D	AT
KIA	Ceed II	2015 - 2017	-	P	AT
KIA	Cerato III	2013 - 2018	key/button	P	AT
KIA	Mohave I	2017 - 2017	-	D	AT
KIA	Optima IV	2015 - 2018	key/button	P	AT
KIA	Picanto II	2017 - 2018	-	P	AT
KIA	Quoris I	2015 - 2017	-	P	AT
KIA	Rio	2012 - 2018	button	P	AT
KIA	Sorento XM FL	2012 - 2018	-	P/D	AT
KIA	Sorento Prime	2015 - 2018	-	P/D	AT
KIA	Soul	2016 - 2017	key/button	P	AT
KIA	Sportage IV	2015 - 2018	key/button	P	AT
Lada	Vesta*	2018 - 2018	key/button	P	AT/MT
Lada	X-Ray*	2018 - 2018	key/button	P	AT/MT

Connection to CAN-bus & RX-TX					
Lexus	CT200h	2011 - 2014	button	Hybr.	AT
Lexus	ES	2012 - 2018	button	P	AT
Lexus	GX400	2011 - 2016	button	P	AT
Lexus	GX460	2011 - 2018	button	P	AT
Lexus	RX270/350	2009 - 2015	button	P	AT

* Needed digital car key calculation on the web server

Connection to CAN-bus					
Lexus	IS250/350	2013 - 2018	button	P	AT
Lexus	LX450/570	2015 - 2018	button	P/D	AT
Lexus	NX200/200t/300h	2014 - 2018	button	P/Hybr.	AT
Lexus	RX200t/270/350	2016 - 2018	button	P/Hybr.	AT
Lexus	RX450h	2016 - 2018	button	P/Hybr.	AT

Mazda	3 BM	2013 - 2017	button	P	AT
Mazda	6 GJ	2013 - 2018	button	P	AT
Mazda	CX-5	2017 - 2018	button	P	AT
Mazda	CX-9	2017 - 2018	button	P	AT
Mitsubishi	ASX (RVR)	2010 - 2016	key/button	P	AT
Mitsubishi	L200	2016 - 2017	key/button	D	AT
Mitsubishi	Lancer X	2009 - 2016	key/button	P	AT
Mitsubishi	Outlander II	2009 - 2012	key/button	P	AT
Mitsubishi	Outlander III	2012 - 2016	key/button	P	AT
Mitsubishi	Pajero Sport	2017 - 2018	key/button	P	AT
Nissan	Juke	2012 - 2017	button	P	AT
Nissan	Murano	2016 - 2017	button	P	AT
Nissan	Note	2011 - 2015	button	P	AT
Nissan	Pathfinder	2014 - 2017	button	P	AT
Nissan	Patrol	2012 - 2017	button	P	AT
Nissan	Qashqai	2010 - 2014	button	P	AT
Nissan	Qashqai*	2018 - 2018	button	P	AT
Nissan	Sentra	2015 - 2017	button	P	AT
Nissan	Teana	2014 - 2017	button	P	AT

* Needed digital car key calculation on the web server

Nissan	Terrano*	2018 - 2018	key/button	P	AT/MT
Nissan	X-Trail	2008 - 2013	button	P	AT
Nissan	X-Trail*	2018 - 2018	button	P	AT
Peugeot	4007	2007 - 2016	key/button	P	AT
Peugeot	4008	2012 - 2016	key/button	P	AT
Renault	Dokker*	2018 - 2018	key/button	P	AT/MT
Renault	Duster*	2018 - 2018	key/button	P	AT/MT
Renault	Kaptur*	2018 - 2018	key/button	P	AT/MT
Renault	Koleos*	2018 - 2018	key/button	P	AT/MT
Renault	Logan*	2018 - 2018	key/button	P	AT/MT
Renault	Sandero*	2018 - 2018	key/button	P	AT/MT

Connection to CAN-bus					
Toyota	Alphard	2015 - 2017	button	P	AT
Toyota	Fortuner	2018 - 2018	button	D	AT
Toyota	Highlander	2014 - 2018	button	P	AT
Toyota	Hilux	2015 - 2017	button	D	AT
Toyota	LC 200	2015 - 2018	button	P/D	AT
Toyota	LC Prado	2018 - 2018	button	P	AT

Connection to CAN-bus & RX-TX					
Toyota	Camry XV50	2012 - 2018	button	P	AT
Toyota	Camry XV70	2018 - 2018	button	P	AT
Toyota	Corolla	2012 - 2018	button	P	AT
Toyota	IQ	2008 - 2011	button	P	AT
Toyota	LC Prado	2009 - 2017	button	P	AT

* Needed digital car key calculation on the web server

Toyota	Mark X	2009 - 2014	button	P	AT
Toyota	Prius	2013 - 2014	button	Hybr.	AT
Toyota	RAV-4	2013 - 2018	button	D	AT
Toyota	Wish	2010 - 2014	button	P	AT

Connection to IMO-IMI					
Toyota	Auris	2007 - 2012	key	P	AT
Toyota	Camry*	2012 - 2018	key	P	AT
Toyota	Corolla*	2013 - 2018	key	P	AT/MT
Toyota	Fortuner*	2018 - 2018	key	D	AT
Toyota	Hilux*	2016 - 2018	key	D	AT
Toyota	LC Prado	2011 - 2015	button	P	AT
Toyota	LC Prado*	2016 - 2018	key	P	AT
Toyota	RAV-4*	2014 - 2018	key	D	AT

* Needed digital car key calculation on the web server

Vehicles that support remote control of Webasto heater

Brand	Model	Year
Skoda	Kodiaq	2017 - 2018
VW	Multivan	2015 - 2018
VW	Tiguan	2017 - 2018
VW	Touareg	2011 - 2018

Specifications

Current consumption in standby mode (the ignition is off)	7 mA
Operating voltage	6-30 V

Contents of the set

AUTOSTART module	1 pcs.
Operating manual	1 pcs.
Packing	1 pcs.

EAC Made in Russia
Manufacturer: LLC «DMA Group»
C-RU.АЛ14.В.10097

The developer and the manufacturer retain the right to make technical updates not specified in this operating manual. To learn more visit our web-site:

<http://author-alarm.com>



WARRANTY CERTIFICATE

Warranty is 12 months from the date of the purchase. During this period technical support and maintenance are guaranteed for free. The warranty does not apply to the items with:

- mechanical damage, burnt and char pieces, components, conductive tracks etc.;
- traces of an independent repair;
- damage caused by natural hazards, fire, social factors;
- violation of the tamper-evident seal, damage or absence of a factory/trade label.

Only items in complete set and with the original packing are taken for warranty repair.

Absence of packing is regarded as noncompliance with transportation rules. The warranty does not apply to the damage incurred to another equipment operating together with this device.

Item (model) _____

Sale date ____/____/_____

The contents of delivery ____, functioning ____, absence of mechanic damage ___ are checked.

I am acquainted and agree with the condition of warranty service:

Buyer _____

Seller _____ seal



Supported Cars List App.

